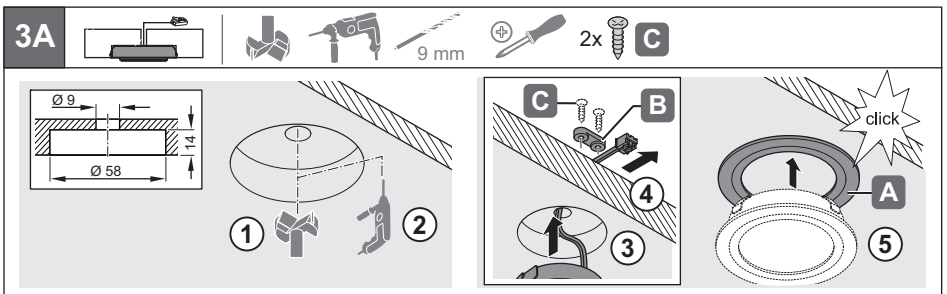
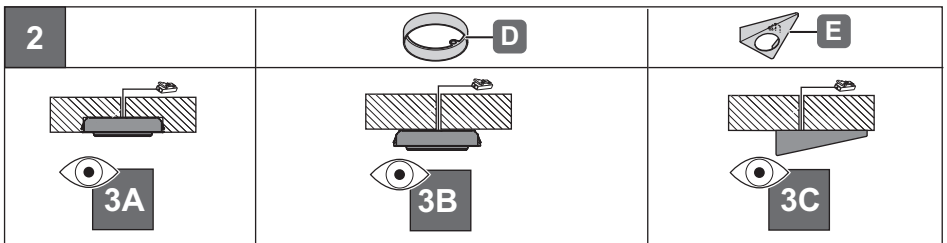
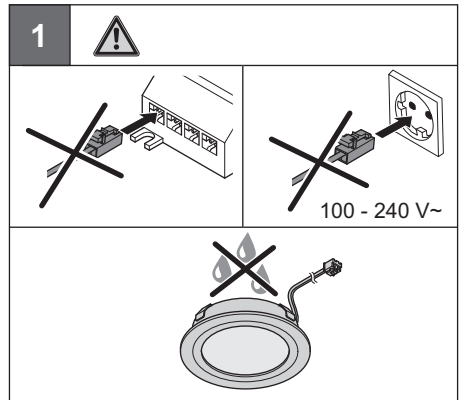
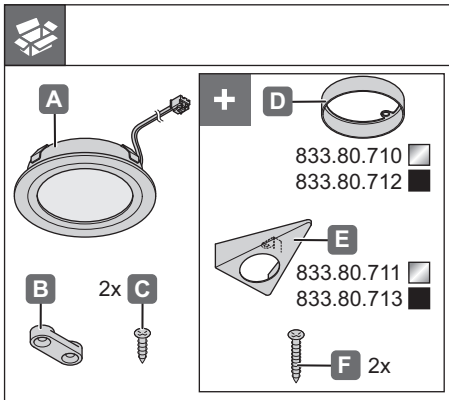




## LED 4009

833.78.140  
833.78.150  
833.78.142  
833.78.152

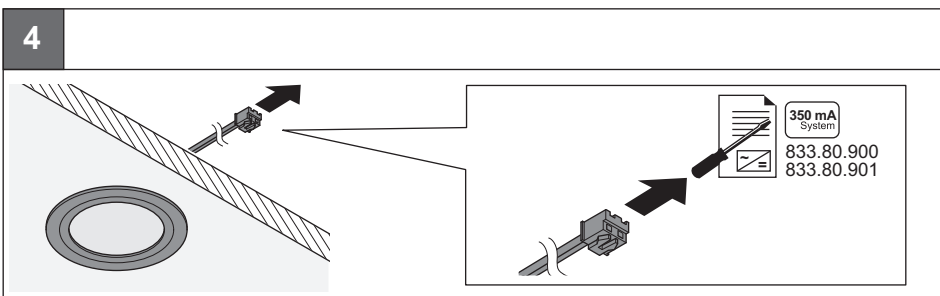
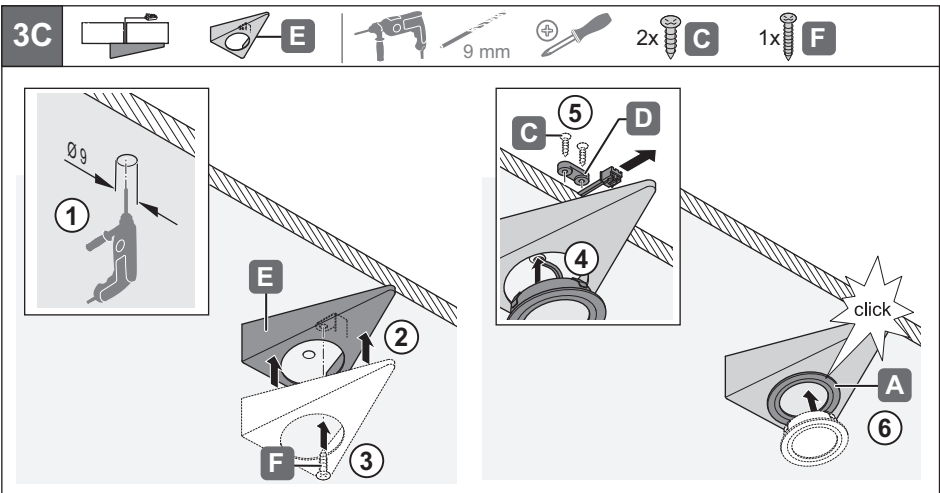
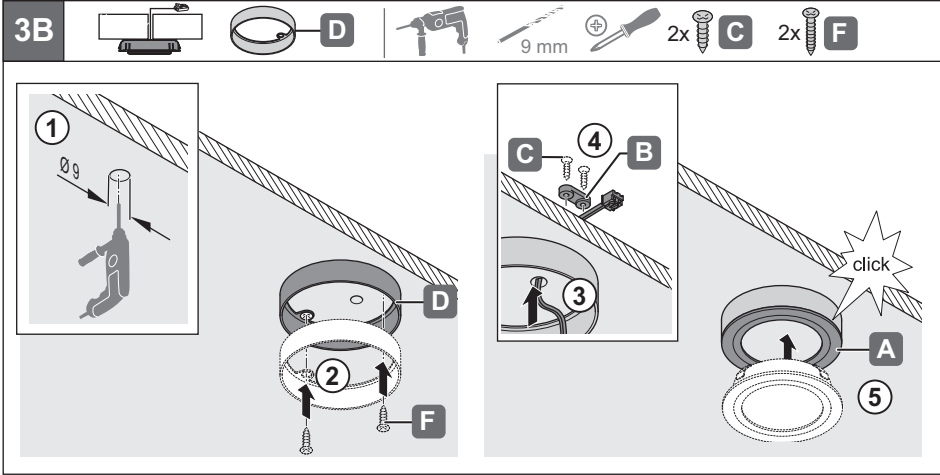
350 mA System	K	W	T <sub>A</sub>	mm	mm	
833.78.140	3000 K	3 x 1 W	-20 °C – +35 °C -4 °F – +95 °F	Ø 65 x 15	≥ Ø 75 x 25	833.80.900 833.80.901
833.78.150	6000 K					
833.78.142	3000 K					
833.78.152	6000 K					



Maße in mm – Dimensions in mm – Medidas en mm

HDE 05.09.2011

732.28.291



Maße in mm – Dimensions in mm – Medidas en mm

HDE 05.09.2011

732.28.291